

SWAGELESS COMPRESSION TERMINAL

Fork End

Benefits

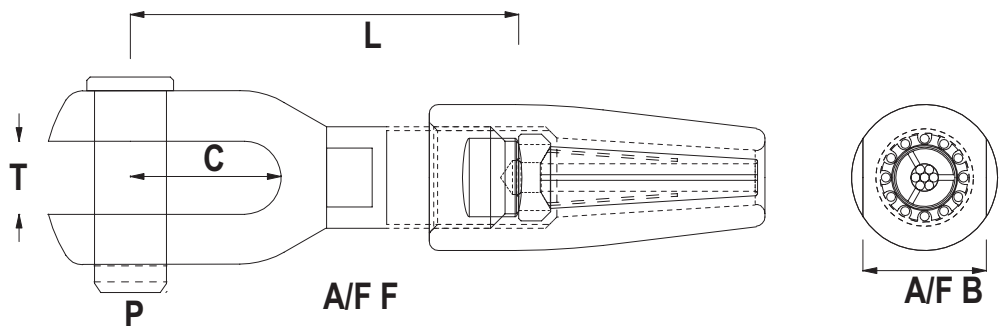
The Unique star shaped Crown Ring positions and holds the wire strands in place, eliminating the requirement for awkward wire end bending. The shallow angled cone establishes direct mechanical grip on the core and all other outer strands. Stainless steel grade EN10088 1.4404 (316) is used on all parts with the exception of the crown ring which is manufactured from Aluminium Bronze. No sealant or packing is required.

Wire Construction

The part codes in the table are for 1 x 19 wire rope construction. Different Cones and Crown Rings are used for 7 strand, compact strand and Dyform®.

Add suffix -7 for 7 Strand wires.

Please refer to your re-seller for the relevant coding for Compact Strand or Dyform®.



Swageless Compression Terminals - Forks							
Product Code	W	P	C	T	L	A/F B	Weight
CTF03	3mm	6mm	12.5mm	6.2mm	30mm	9.5mm	29g
CTF04	4mm	8mm	17mm	7.9mm	40mm	11mm	60g
CTF05	5mm	9.5mm	19mm	9.9mm	47mm	14mm	103g
CTF06	6mm	11mm	22mm	10.9mm	50mm	19mm	159g
CTF07	7mm	12mm	25mm	12.7mm	58mm	20mm	239g
CTF08DS	8mm	12mm	25mm	12.7mm	63mm	22mm	323g
CTF08	8mm	14mm	28mm	13.8mm	70mm	22mm	395g
CTF08US	8mm	16mm	32mm	15.8mm	72mm	22mm	490g
CTF10	10mm	16mm	32mm	15.8mm	78mm	26mm	542g
CTF12	12mm	19mm	38mm	17.8mm	93mm	32mm	918g
CTF14	14mm	22mm	45mm	22mm	106mm	36mm	1464g
CTF16	16mm	25.4mm	50mm	25mm	126mm	40mm	2125g
CTF19	19mm	28mm	58mm	28.2mm	133mm	44mm	2616g
CTF22	22mm	32mm	64mm	31.8mm	146mm	52mm	3890g
CTF26	26mm	35mm	70mm	34.8mm	167mm	64mm	6393g

Also available with Eye, Toggle, and Threaded Stud End

Wire Construction

The part codes in the table are for 1 x 19 wire rope construction. Different Cones and Crown Rings are used for 7 strand, compact strand and Dyform®. Add suffix -7 for 7 Strand wires. Please refer to your re-seller for the relevant coding for Compact Strand or Dyform®.