

SWAGELESS COMPRESSION TERMINALS

Imperial Threads

Benefits

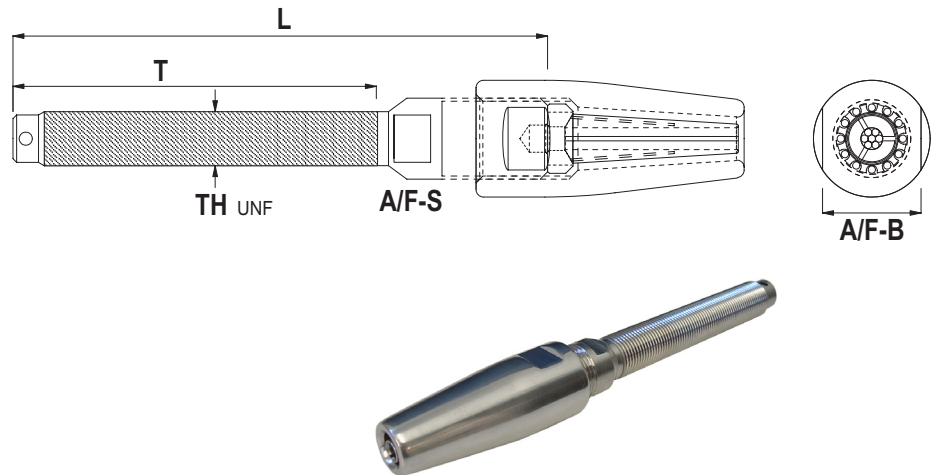
The Unique star shaped Crown Ring positions and holds the wire strands in place, eliminating the requirement for awkward wire end bending. The shallow angled cone establishes direct mechanical grip on the core and all other outer strands. Stainless steel grade EN10088 1.4404 (316) is used on all parts with the exception of the crown ring which is manufactured from Aluminium Bronze. No sealant or packing is required.

Wire Construction

The part codes in the table are for 1 x 19 wire rope construction. Different Cones and Crown Rings are used for 7 strand, compact strand and Dyform®.

Add suffix -7 for 7 Strand wires.

Please refer to your re-seller for the relevant coding for Compact Strand or Dyform®.



Swageless Compression Terminals - Imperial Threaded Studs

Product Code	W	Thread	T	L	A/F-S	A/F-B	Weight
CTS03	3mm	1/4" unf	47mm	68mm	6mm	9.5mm	24g
CTS04DS	4mm	1/4" unf	47mm	68mm	8mm	11mm	35g
CTS04	4mm	5/16" unf	54mm	77mm	8mm	11mm	42g
CTS04US	4mm	3/8" unf	68mm	87mm	8mm	11mm	58g
CTS05DS	5mm	5/16" unf	54mm	82mm	9mm	14mm	65g
CTS05	5mm	3/8" unf	68mm	91mm	9mm	14mm	75g
CTS05US	5mm	7/16" unf	75mm	97mm	9mm	14mm	85g
CTS06DS	6mm	3/8" unf	68mm	97mm	11mm	17mm	110g
CTS06	6mm	7/16" unf	75mm	101mm	11mm	17mm	130g
CTS06US	6mm	1/2" unf	90mm	119mm	11mm	17mm	145g
CTS07	7mm	1/2" unf	90mm	121mm	14mm	20mm	199g
CTS08DS	8mm	1/2" unf	90mm	129mm	16mm	22mm	297g
CTS08	8mm	5/8" unf	100mm	137mm	16mm	22mm	347g
CTS10	10mm	5/8" unf	100mm	143mm	17mm	26mm	458g
CTS10US	10mm	3/4" unf	120mm	163mm	19mm	26mm	790g
CTS11	11mm	3/4" unf	120mm	163mm	19mm	26mm	790g
CTS12	12mm	3/4" unf	120mm	173mm	22mm	32mm	892g
CTS14	14mm	7/8" unf	140mm	201mm	24mm	36mm	1379g
CTS16	16mm	1" unf	160mm	232mm	28mm	40mm	1970g
CTS19	19mm	1 1/8" unf	180mm	250mm	32mm	44mm	2699g
CTS22	22mm	1 1/4" unf	200mm	277mm	36mm	52mm	4240g
CTS26	26mm	1 3/8" unf	2200mm	320mm	44mm	64mm	6675g

Please ensure you use the correct code for your construction of wire

Wire Construction

The part codes in the table are for 1 x 19 wire rope construction. Different Cones and Crown Rings are used for 7 strand, compact strand and Dyform®. Add suffix -7 for 7 Strand wires. Please refer to your re-seller for the relevant coding for Compact Strand or Dyform®.