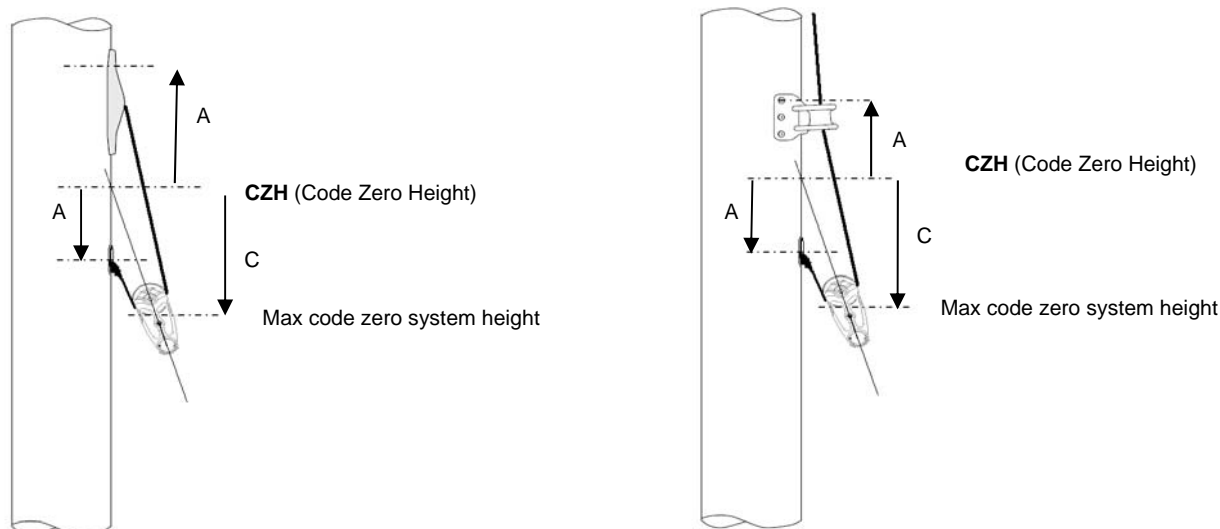


2:1 halyard shall be used for Code zero Sails (Flying upwind sails)  
See instruction 595-718 for definitions.



Halyard lead must be used with all sheave boxes except single AL-boxes.

RM Max	20kNm	45kNm	90kNm	180kNm	350kNm
A [mm]	90	105	150	200	250
C [mm]	200	225	300	400	500
<b>Line 1152 Halyard box</b>					
Halyard box, single	<b>505-072-01</b>	-	-	<b>505-055-02</b>	<b>505-116-01</b>
Single AL-box	<b>505-016-01</b>	<b>505-016-01</b>	<b>505-015-01</b>	-	-
Halyard box, double	<b>505-053-01</b>	<b>505-053-01</b>	<b>505-059-01</b>	<b>505-051-02</b>	<b>505-113-01</b>
<b>Line 1153 Halyard lead</b>					
Single halyard lead	C137 – F212 : <b>508-847-01</b>	C137 – F212: <b>508-847-01</b> C227-F286: <b>508-848-01</b>	C227-F286: <b>508-848-01</b>	-	-
Double halyard lead	C137 – F212 : <b>508-734-01</b>	C137 – F212: <b>508-734-01</b> C227-F286 : <b>508-735-01</b>	C227-F286: <b>508-735-01</b> C304,F305: <b>508-839-10</b>	C365, F370: <b>508-837-10</b> F406: <b>508-837-01</b>	C365, F370: <b>508-837-10</b> F406: <b>508-837-01</b>
<b>Line 1155</b> Dead end fitting	C137 - F228: <b>508-843-01</b>	C137 - F228: <b>508-843-01</b> C245 – F305: <b>508-844-01</b>	C245 – F305: <b>508-844-01</b>	C245 – F305: <b>508-844-01</b> C321-F406: <b>508-838-01</b>	C321-F406: <b>508-838-01</b>
Sail Head block	<b>403-501-01</b>	<b>403-501-01</b>	<b>404-501-01</b>	<b>405-501-01</b>	Min SWL=50kN

**Note:**

Sail head block, other than stated in table above, with larger diameter or swivelling shackle may result in twisting and jamming of halyard line.

Height offsets in table above are based on stated blocks.

Use HMPE Performance ropes for halyards. (Rope must be “balanced” with low tendency to twist)