

STAINLESS STEEL SWAGE TERMINALS

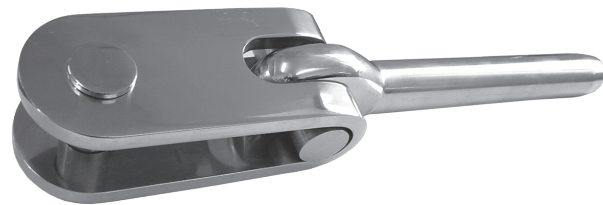
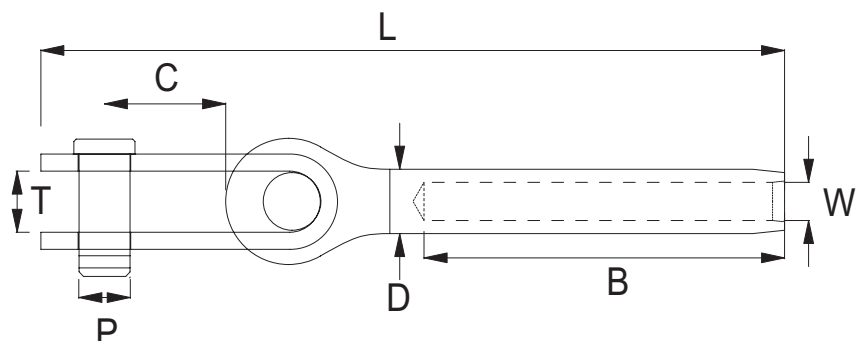
Swage Strap Toggle

Benefits

Electrical upsetting with beneficial grain structure and low stress levels to reduce fatigue.

Free from structural welds which may reduce the strength and integrity of the product.

All eyes are manufactured from solid bar - no welding involved.



Swage Strap Toggles

Product Code	W	P	D	C	T	B	L	Weight
MST03	3mm	6.0mm	6.3mm	14mm	8mm	39mm	84mm	25g
MST04	4mm	8mm	7.5mm	18mm	9mm	45mm	103mm	45g
MST05	5mm	9.5mm	9.1mm	21mm	11mm	52mm	111mm	89g
MST06	6mm	11mm	12.5mm	25mm	13mm	64mm	146mm	230g
MST07	7mm	12mm	14.3mm	27mm	15mm	70mm	168mm	271g
MST08DS	8mm	12mm	16.0mm	27mm	15mm	80mm	169mm	295g
MST10	10mm	16mm	18.0mm	36mm	19mm	100mm	212mm	569g
MST12	12mm	19mm	21.4mm	45mm	22mm	132mm	278mm	1409g
MST14	14mm	22mm	25.0mm	53mm	25mm	156mm	328mm	1912g
MST16	16mm	25.4mm	28.2mm	62mm	28mm	176mm	364mm	2516g
MST19	19mm	28mm	34.5mm	63mm	32mm	210mm	430mm	4147g
MST22	22mm	32mm	40.3mm	76mm	35mm	242mm	496mm	6039g
MST26	26mm	35mm	45.9mm	92mm	38mm	290mm	571mm	8428g

Larger Sizes Available Upon Request

All Hi-MOD products are produced to a high degree of quality control, using modern lean manufacturing processes, resulting in a reliable and consistent product