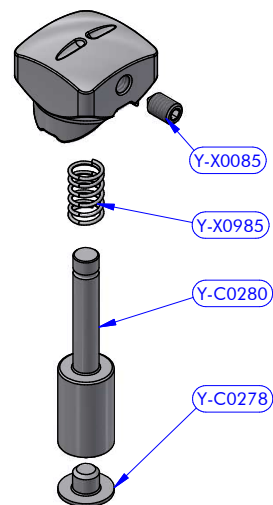
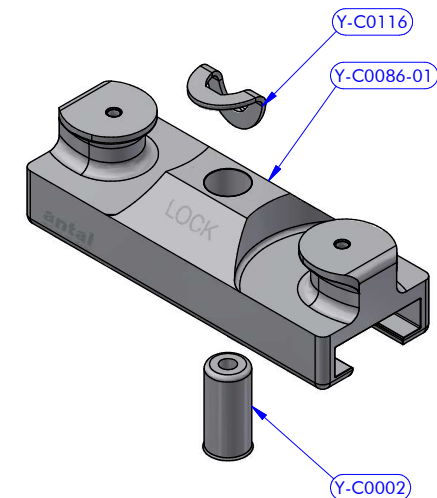


Cod.Y-CA039  
Gruppo fermo arresto



Cod.Y-CA185-01  
Car + Bushing + Plate



PART LIST			
CODE	DESCRIPTION	MATERIAL	Q.TY
Y-C0035	Plastic guide	Plastic	2
Y-C0277	Blade	S.Steel	2
Y-CA185-01	Car + Bushing + Plate	Various	1
Y-X0223	Screw	S.Steel	2
Y-CA039	Stop-pin parts kit	Various	1

PART LIST - Y-CA185-01			
CODE	DESCRIPTION	MATERIAL	Q.TY
Y-C0002	Socket	S.Steel	1
Y-C0086-01	Slider corps	Aluminium	1
Y-C0116	Blade	S.Steel	1

PART LIST - Y-CA039			
CODE	DESCRIPTION	MATERIAL	Q.TY
Y-C0117	Stop-pin button	S.Steel	1
Y-C0278	Cap	Peek	1
Y-C0280	Pin	S.Steel HR	1
Y-X0085	Cone point set screw	S.Steel	1
Y-X0985	Compression spring	S.Steel	1



T-track 40x8 Halyard slider 160 Alu +  
Stop-pin

DESCRIPTION

**623.402-01**

MODEL CODE

11/07/2022

DATE

REV.

22011301

DWG N.

1 / 1

PG.