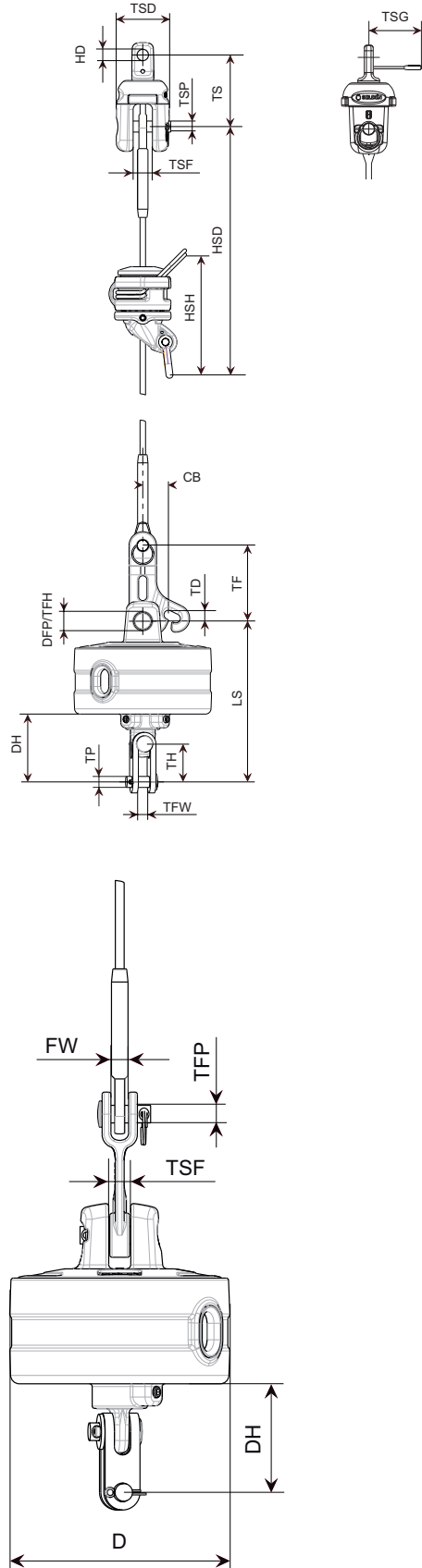


FURLEX 20S, 30S & 40S

Measurements



As Furlex 20S, 30S and 40S has no luff extrusion these models are not suitable for reefing.

Measurements, mm	Code	Furlex 20S	Furlex 30S	Furlex 40S
Top Swivel Height	TS	35	52	52
Top Swivel Diameter	TSD	Ø 26	Ø 39	Ø 39
Top Swivel Pin	TSP	Ø 6	Ø 8	Ø 8
Top Swivel Fork	TSF	10	14	14
Upper Hole Dia	HD	Ø 5,5	Ø 8,5	Ø 8,5
Top Swivel Guide	TSG	100	100	100
Halyard Swivel Height	HSH	-	90	90
Halyard Swivel Deduction	HSD	-	180	180
Tack Fitting height	TF	-	55	55
Tack Fitting Fork Width	FW	-	8	8
Tack Fitting Fork Pin	TFP	-	Ø 8	Ø 8
Tack Fitting Hole	TFH	-	Ø 8,5	Ø 8,5
Cut Back	CB	-	20	20
Tack Deduction	TD	-	10	10
Lower Swivel Height	LS	60	106	117
Toggle Height	TH	-	28	28
Toggle Pin	TP	Ø 5	Ø 8	Ø 8
Toggle Fork Width	TFW	5,5	9	9
Drum Diameter	D	Ø 70	Ø 85	Ø 100
Drum Height	DH	27	49	49
Drum Fork Width	DFW	9	10	10
Drum Fork Pin	DFP	6	8	8
Max recommended LP-measure with standard furling line		2500	2500	3000