
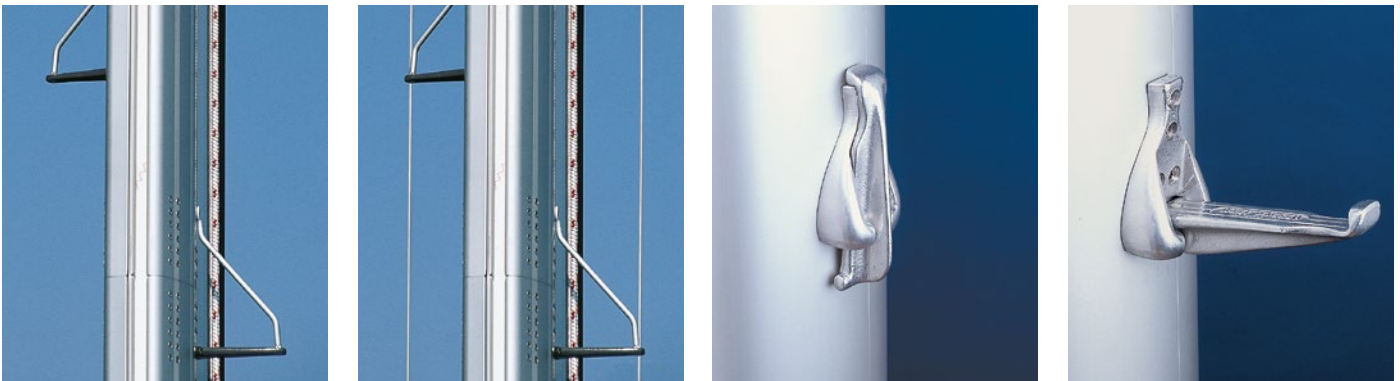


Mast climbing steps – for extra climbing safety

Mast climbing steps are an easily fitted safety feature. Seldén mast climbing steps are available as fixed steps (an outer guard wire can be used for extra safety) or as foldable climbing steps. The well-rounded shape of the foldable steps reduces windage and sail chafe.

 Always use a safety harness when working aloft.



Climbing steps, fixed

Art. No.	Radius	Mast section
508-539-01	R155	E138-E274 D121-D160
508-565-01	R300	C321, E365 All furling masts All C-sections and F-sections

Climbing steps, foldable

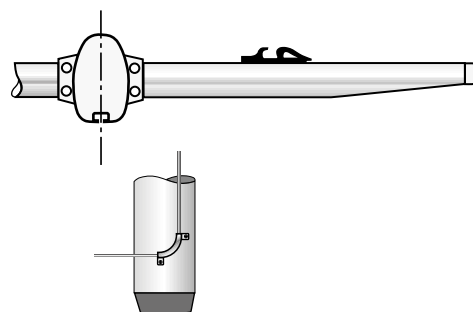
Art. No.	Radius	Mast section	Remarks
508-183-03	R290	All furling masts C321, E365	Incl. screw, for wall thickness > 4 mm
508-183-04		All C-sections	Incl. rivets, for wall thickness < 5 mm
508-185-03	R122	E170-E274 D137-D160	Incl. screw, for wall thickness > 4 mm
508-185-04			Incl. rivets, for wall thickness < 5 mm

Hint: With a foldable mast step 0.5 m up from deck, it will be a lot easier to attach the halyard to the head of the mainsail.

Cutter stay spreader hook Cutter stay stowage bracket

With a Seldén cutter stay spreader hook mounted on the spreader, and a cutter stay stowage bracket mounted on the mast, your cutter stay will always be ready for use, stand-by secured by its pelican hook (or similar) to a deck bracket. Safely out of the way until you actually need it!

The hook can also be used to park a halyard.



Cutter stay
spreader hook,
Art. No. 508-190-01.

Cutter stay
stowage bracket,
Art. No. 508-225-01.