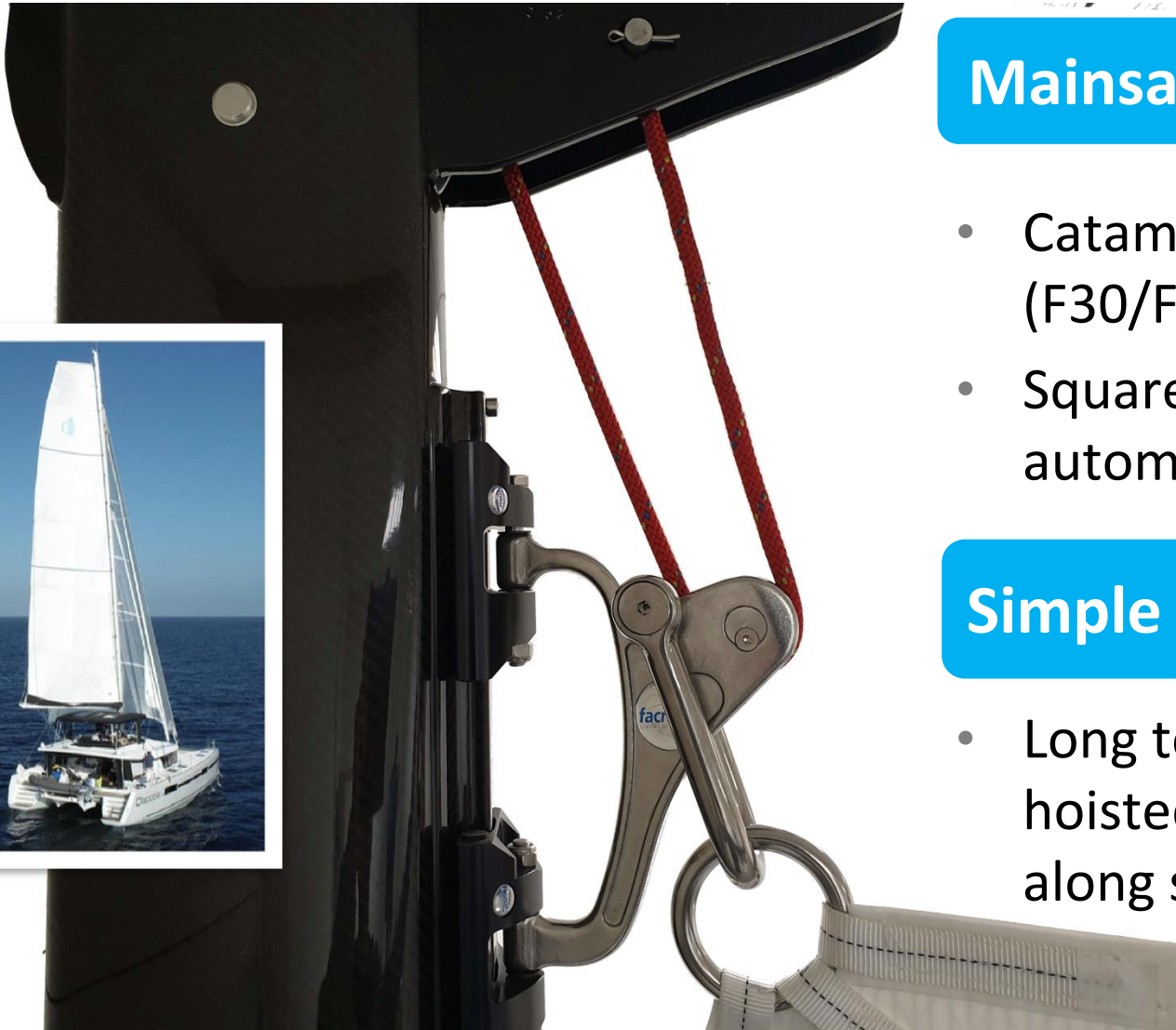


Mainsail auto-locking

- Catamaran over 40' (F30/F40)
- Squared mainsail automatically locked

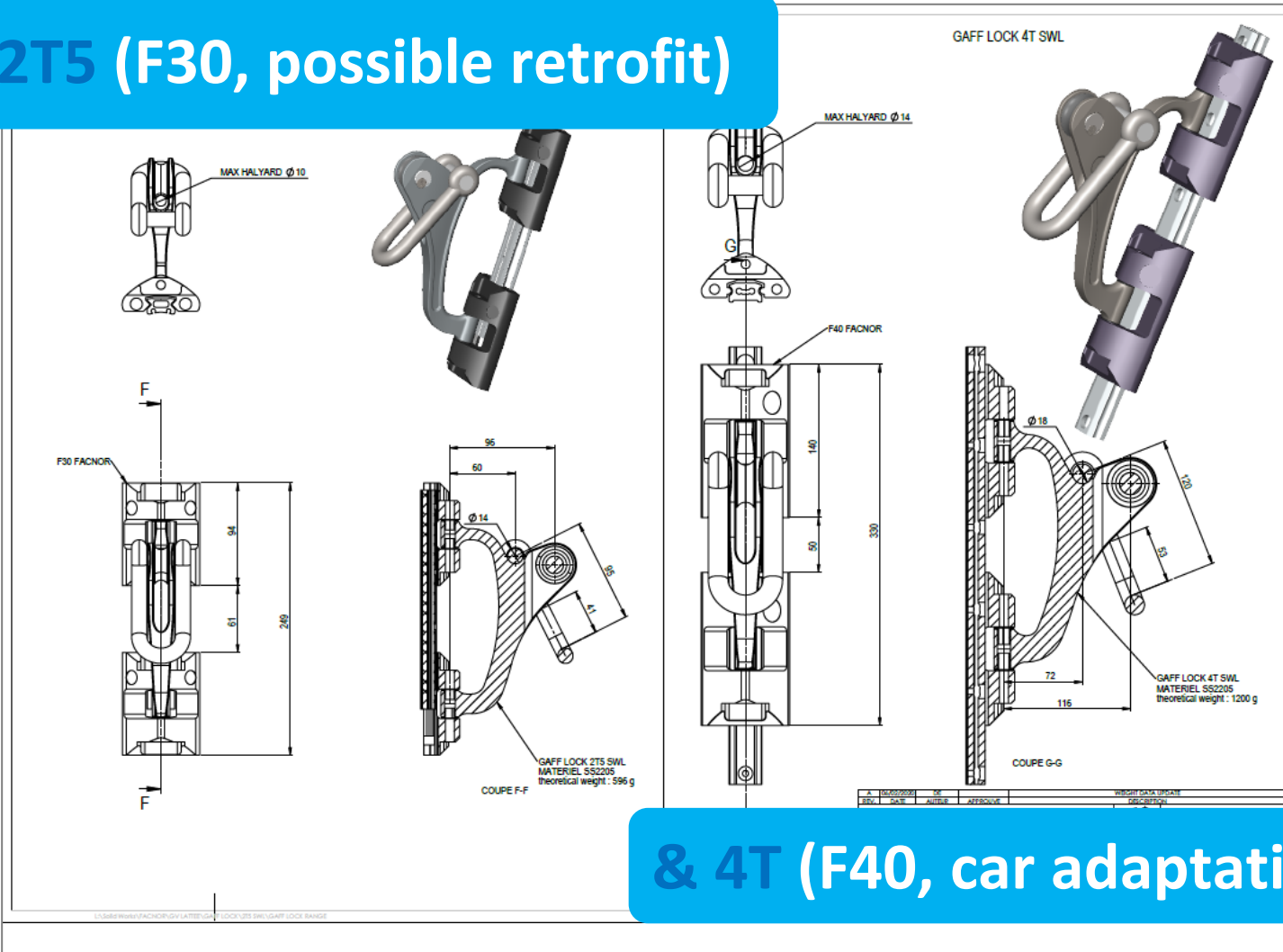
Simple use

- Long top batten easily hoisted and lowered along side the boom





2T5 (F30, possible retrofit)



& 4T (F40, car adaptation)